

Ref. : 3400-03BD
 Rev. : B
 Date : 09/08/2017
 Page : 1/1

BI-DIRECTIONAL KNIFE GATE VALVE WITH DOUBLE ACTING PNEUMATIC ACTUATOR



3400-03BD

APPLICATION

General use: pulp production, water, water treatment, waste water, wine-producing...

GENERAL CHARACTERISTICS

Bi-directional tight knife gate valve.
 Function ON/OFF or regulation.
 Between flanges connection according to ISO PN10.
 Complete Sealed by nitrile elastomer seat

CONSTRUCTION

10	1	Pneumatic actuator	Aluminium
9	2	Protection plate	Stainless steel 304
8	1	Stem	Stainless steel 13%Cr
7	2	Packing	PTFE
6	1	O-ring	Nitrile (NBR)
5*	2	Support plate	Steel epoxy coated
4	1	Seat	Nitrile (NBR)
3	1	Packing gland	Ductile iron
2	1	Gate	Stainless steel 304
1	1	Body	Cast iron EN-GJL-250
Pos.	Qty	Description	Material

* Pre-shaped parts up to DN300.

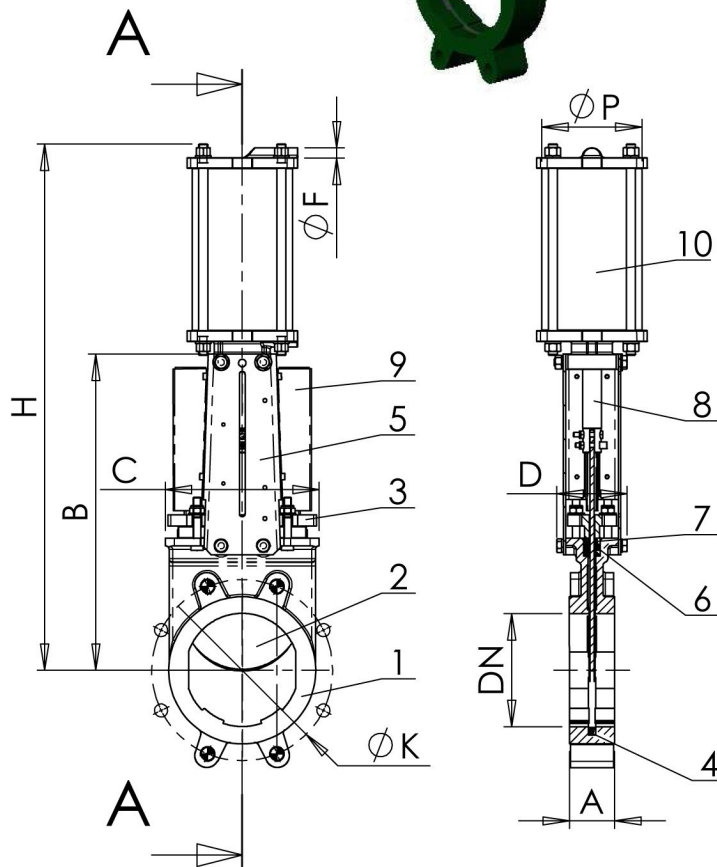
DIMENSIONS

DN		A	B	C	D	Ø F	Ø P	H	Ø K	○	⊕	Weight (kg)
mm	inch											
50	2"	40	240	124	83	1/4"	80	412	125	4	4-M16	7,5
65	2 1/2"	40	265	139	83	1/4"	80	458	145	4	4-M16	7,8
80	3"	50	290	154	83	1/4"	80	502	160	8	4-M16	8,4
100	4"	50	335	174	83	1/4"	100	562	180	8	4-M16	12,5
125	5"	50	373	189	93	1/4"	125	642	210	8	4-M16	16,4
150	6"	60	424	220	93	1/4"	125	718	240	8	4-M20	20,5
200	8"	60	533	275	108	1/4"	160	882	295	8	4-M20	35,8
250	10"	70	625	326	108	1/4"	200	1044	350	12	8-M20	52
300	12"	70	732	380	108	1/4"	200	1164	400	12	8-M20	72
350	14"	96	835	438	290	3/8"	250	1362	460	16	10-M20	129
400	16"	100	945	494	290	3/8"	250	1542	515	16	10-M24	144

WORKING CONDITIONS

Maximum working pressure :
 DN50-200 : 10 bar
 DN250 : 7 bar
 DN300 : 6 bar
 DN350-400 : 4 bar

Maximum working temperature : NBR : -10°C / +90°C



Bi-directional tightness